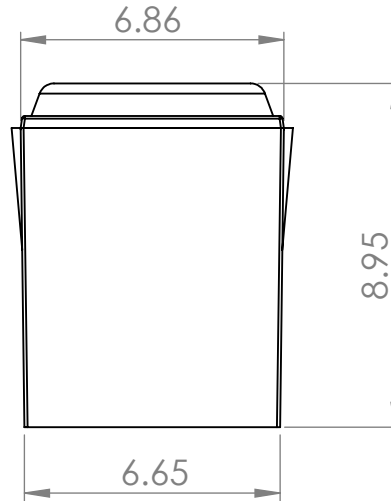
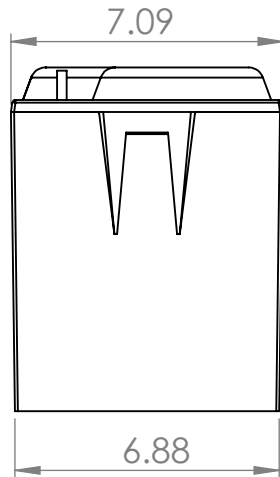
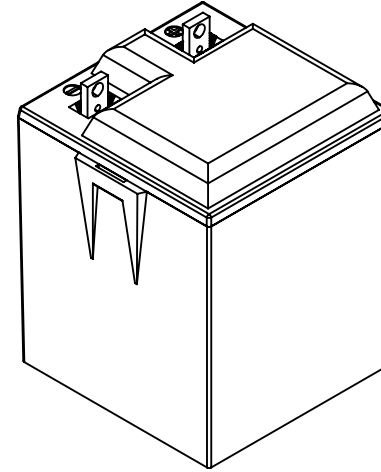
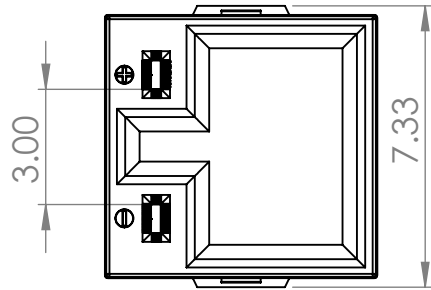


2

1


B

B



A

A

 <p>PROPRIETARY AND CONFIDENTIAL THE INFORMATION CONTAINED IN THIS DRAWING IS THE SOLE PROPERTY OF DRAGONFLY ENERGY INC. ANY REPRODUCTION IN PART OR AS A WHOLE WITHOUT THE WRITTEN PERMISSION OF DRAGONFLY ENERGY INC IS PROHIBITED.</p>	DIMENSIONS ARE IN: TOLERANCES: 0.X: ± 0.XX: ± 0.XXX: ± ANGULAR: ±	DRAGONFLY ENERGY INC. PART NUMBER: BB5012	
	MATERIAL: FINISH:	PART DESCRIPTION:	
DRAWN: JH CHECKED:	SCALE: 1:5	SHEET 1 OF 1	

2

1